

## IEC Appliance Connector C6 with Line Switch 1-pole



CMF3

**Description**

- Panel Mount:  
Screw-on mounting on PCB, from top or bottom
- 2 Functions:  
Inlet Protection class I, Line switch 1-pole
- For PCB mounting
- Alternative: protection class II version [CMF1](#), [CMF4](#); [CMF2](#), [CMF5](#)

**Characteristics**

- Easy mounting with center bolt and snapper or screwed on PCB or housing
- Electrical connection done on the PCB
- Bi-positioning of the switch from left or right side, Standard CMF with switch on right side
- With or without rear-side insulation cover
- Qualified for use in equipment according IEC/EN 60950

**Other versions on request**

- Line switch with other rocker marking
- Line switch on left of inlet

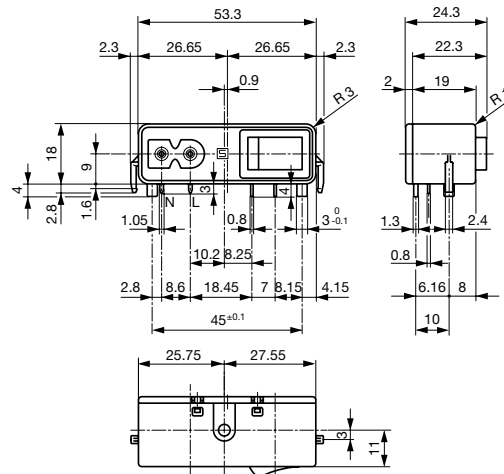
**Weblinks**Approvals: [www.schurter.com/approvals](http://www.schurter.com/approvals)RoHS: <http://www.schurter.com/rohs>CHINA-RoHS: [www.schurter.com/china-rohs](http://www.schurter.com/china-rohs)Webstore: [www.schurterinc.com/estore/search.ihtml](http://www.schurterinc.com/estore/search.ihtml)**Technical Data**

Ratings IEC	2.5 A / 250 VAC; Hz 50
Ratings UL/CSA	2.5 A / 125 VAC; 60 Hz
Dielectric Strength	> 2.3 kVAC between L-N > 2.8 kVAC between L/N-PE (1 min/50 Hz)
Allowable Operation Temp.	-25 °C to 70 °C
Degree of Protection	from front side IP 40 acc. to IEC 60529
Protection Class	Suitable for appliances with protection class I acc. to IEC 61140
Terminal	PCB 1.6 mm Additional ground terminal
Material: Housing	Thermoplastic, black, UL 94V-0

Appliance-Inlet /-Outlet	C6 acc. to IEC/EN 60320-1, UL 498, CSA C22.2 no. 42 (for cold condition) pin-temperature 70 °C, 2.5 A, Protection class I
Line Switch	Rocker switch 1 pole, non-illuminated, acc. to IEC 61058-1 <a href="#">Technical details</a>

## Dimensions

Length |-----| 53.3 mm

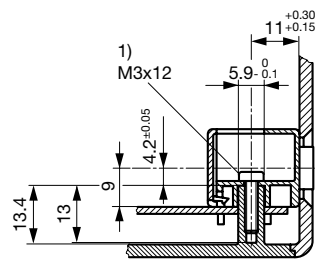
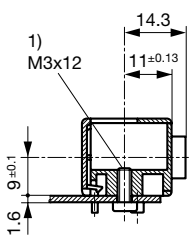


with insulation cover

The size of the mounting cut-out can be selected as required.

Fixation on PCB or housing from below

Fixation on PCB or housing from above

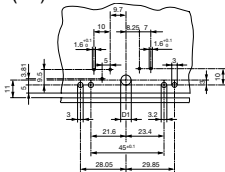


1) self tapping screw

1) self tapping screw

## Drilling diagrams

CMF3 (C6)



d1 = 6.2 mm mounting from above

d1 = 3.6 mm mounting from below

PC Board 1.6 mm

Dimensions without tolerance:

≤ 15 = ± 0.05 / > 15 = ± 0.10

## Variants

[Webstore](#)

Standard CMF with switch on right side

Appliance-inlet	Mounting side	Cover	Ground terminal	Ground terminal direction	Order Number
C6	from below		-	-	CMF3.1032.12
C6	from below		Solder terminal 2.8 x 0.8 mm	angled to pin axis	CMF3.1033.12
C6	from below		Solder terminal 2.8 x 0.8 mm	straight	CMF3.1034.12
C6	from below	●	-	-	CMF3.1132.12
C6	from below	●	Solder terminal 2.8 x 0.8 mm	angled to pin axis	CMF3.1133.12
C6	from below	●	Solder terminal 2.8 x 0.8 mm	straight	CMF3.1134.12
C6	from top		-	-	CMF3.1012.12
C6	from top		Solder terminal 2.8 x 0.8 mm	angled to pin axis	CMF3.1013.12
C6	from top		Solder terminal 2.8 x 0.8 mm	straight	CMF3.1014.12
C6	from top	●	-	-	CMF3.1112.12

Appliance-inlet	Mounting side	Cover	Ground terminal	Ground terminal direction	Order Number
C6	from top	●	Solder terminal 2.8 x 0.8 mm	angled to pin axis	CMF3.1113.12
C6	from top	●	Solder terminal 2.8 x 0.8 mm	straight	CMF3.1114.12

**Packaging unit** 50 Pcs